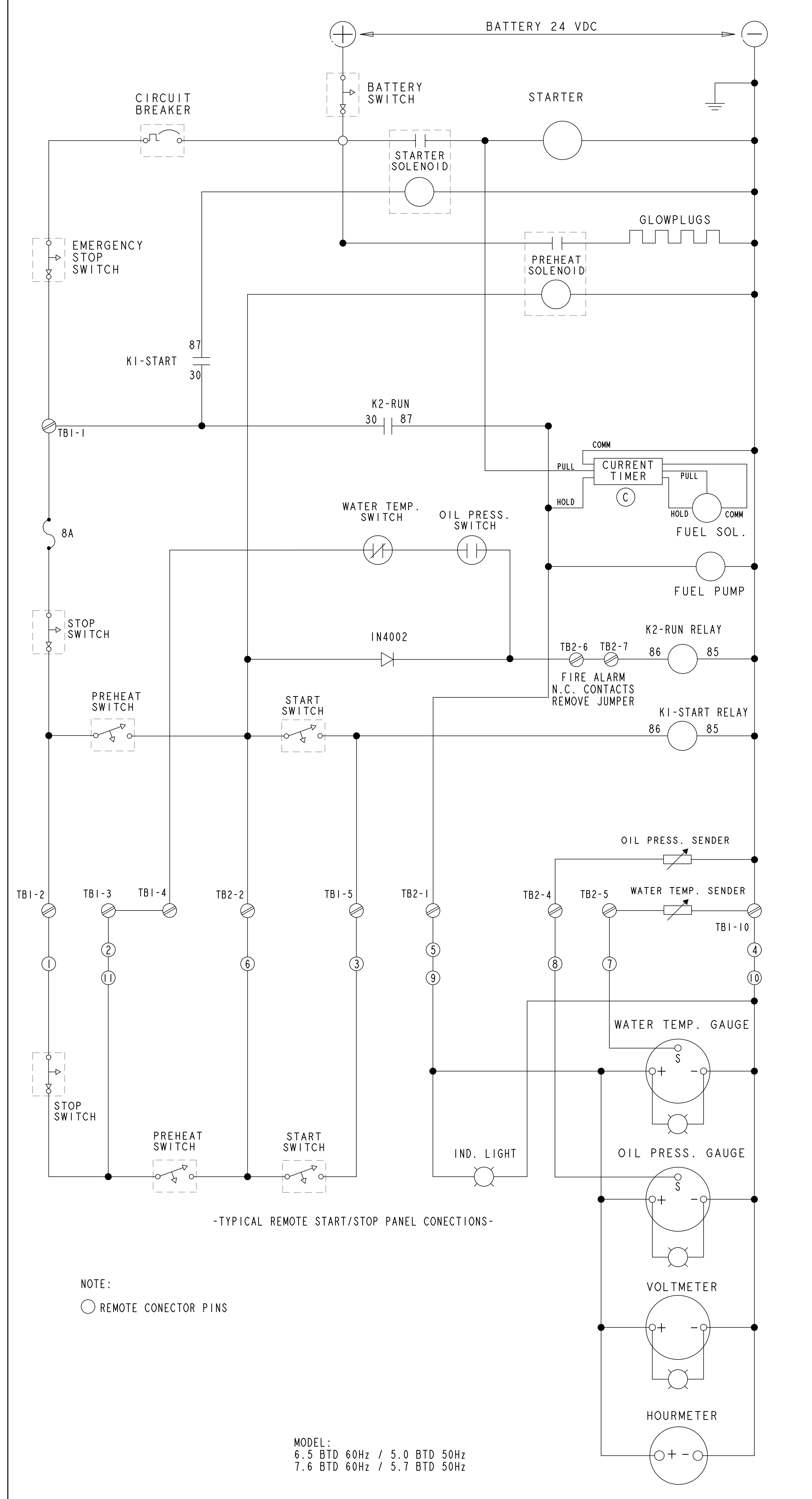
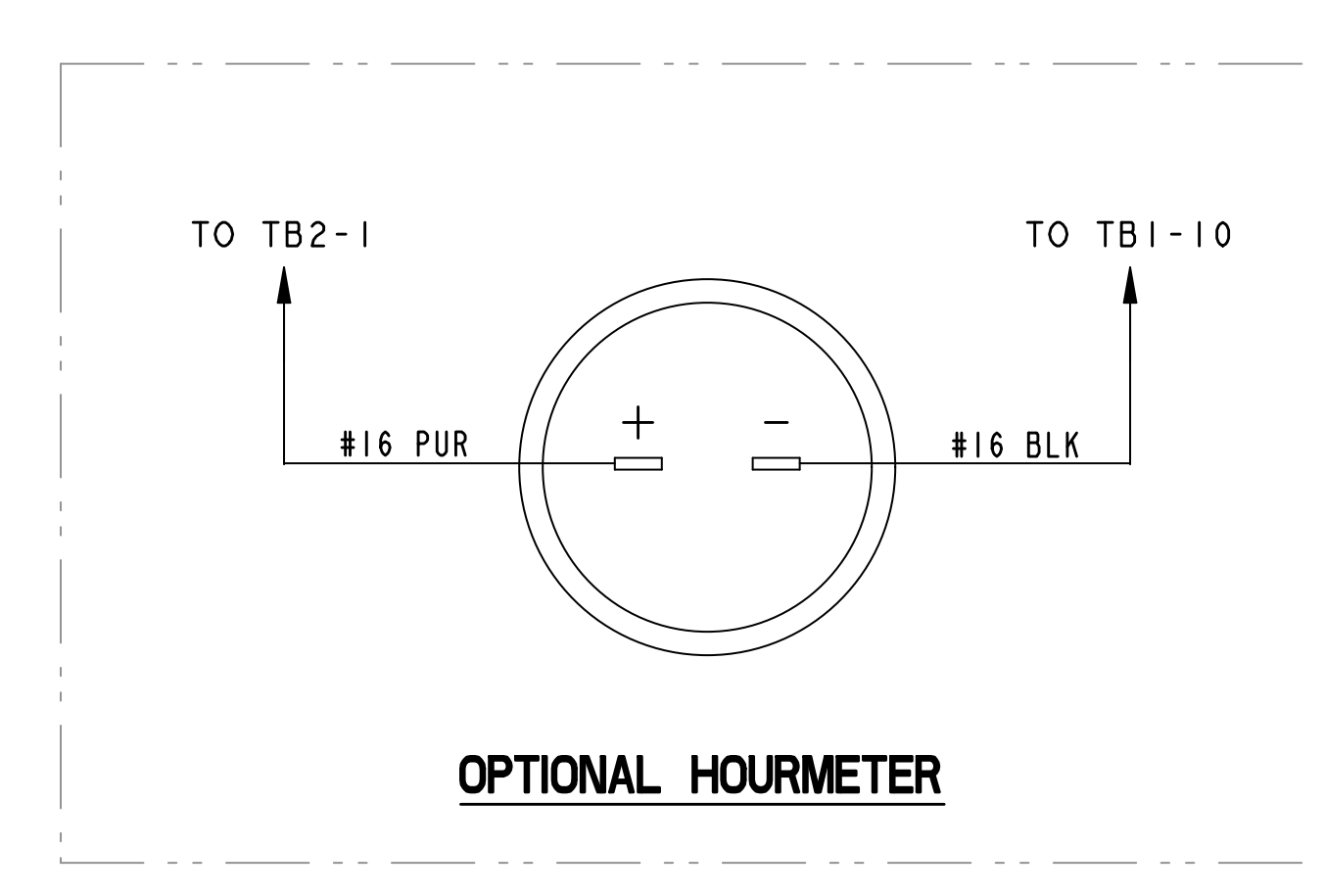
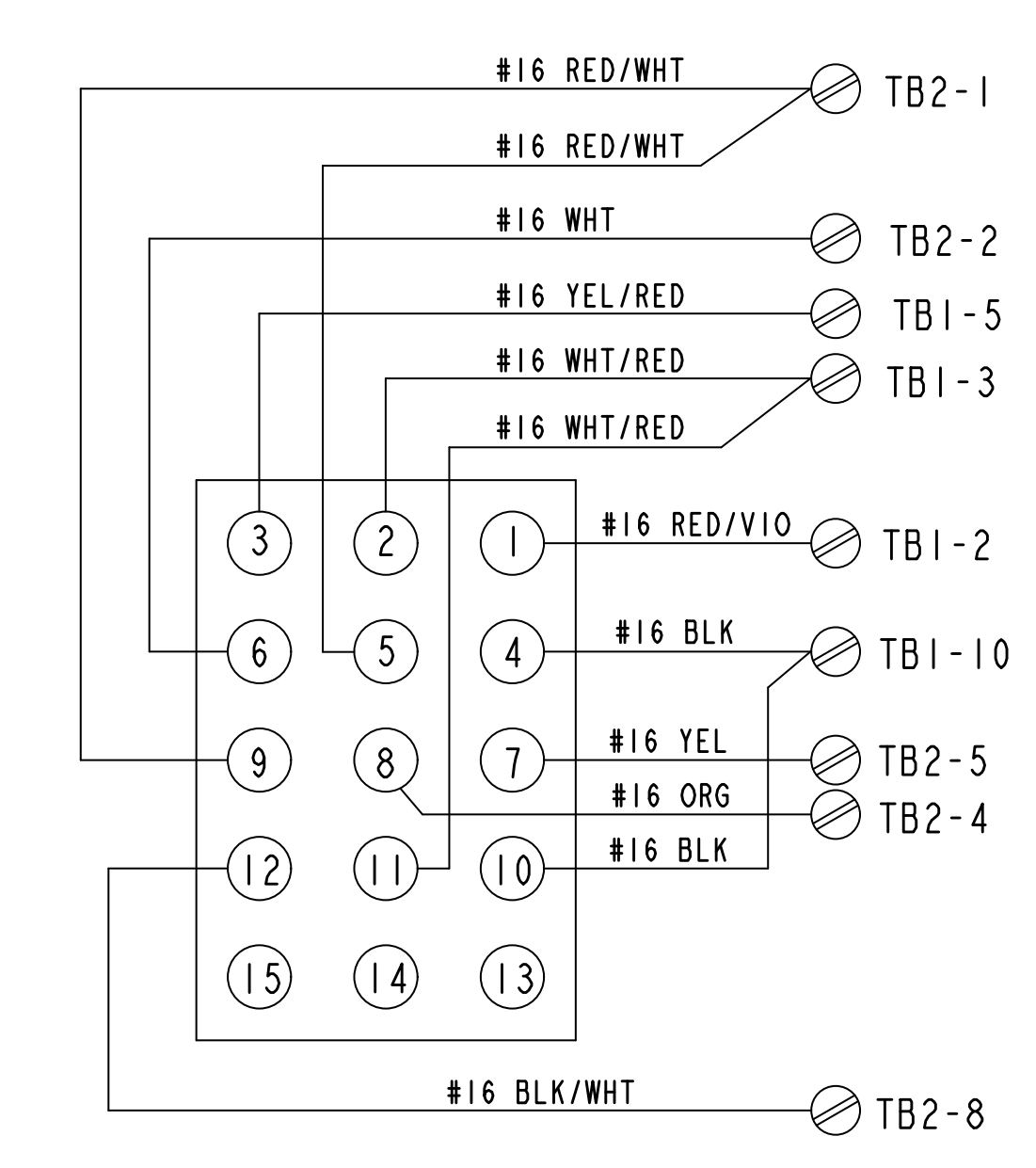


NOTE:
1. REMOVE JUMPER WHEN CONNECTING A SECOND REMOTE PANEL.



NOTE:
○ REMOTE CONECTOR PINS

MODEL:
6.5 BTD 60Hz / 5.0 BTD 50Hz
7.6 BTD 60Hz / 5.7 BTD 50Hz

TOLERANCES (UNLESS OTHERWISE NOTED)		WESTERBEKE	
INCHES	MILLIMETERS	TITLE	
.XX ± .01	X ± .13	DGGENSET WIRE 7.6 BTD IDLER	
.XX ± .005	.XX ± .13	24V, NO SENDER	
ANGLES	FINISH	DRAWN BY	DATE
2°	82	GA	21/Aug/14
DIMENSIONS		APPROVED BY	DATE
INCHES		SCALE	NONE
MILLIMETERS		SIZE	DRAWING NUMBER
(WHEN APPLICABLE)		SHT. 1 OF 2	E 55956
			REV. A